

HX<sup>®</sup> SERIES TRUCK

PRODUCT BROCHURE



INTERNATIONAL

# BRUTE FORCE MEETS SURGICAL PRECISION.

THE INTERNATIONAL® HX® SERIES TRUCK



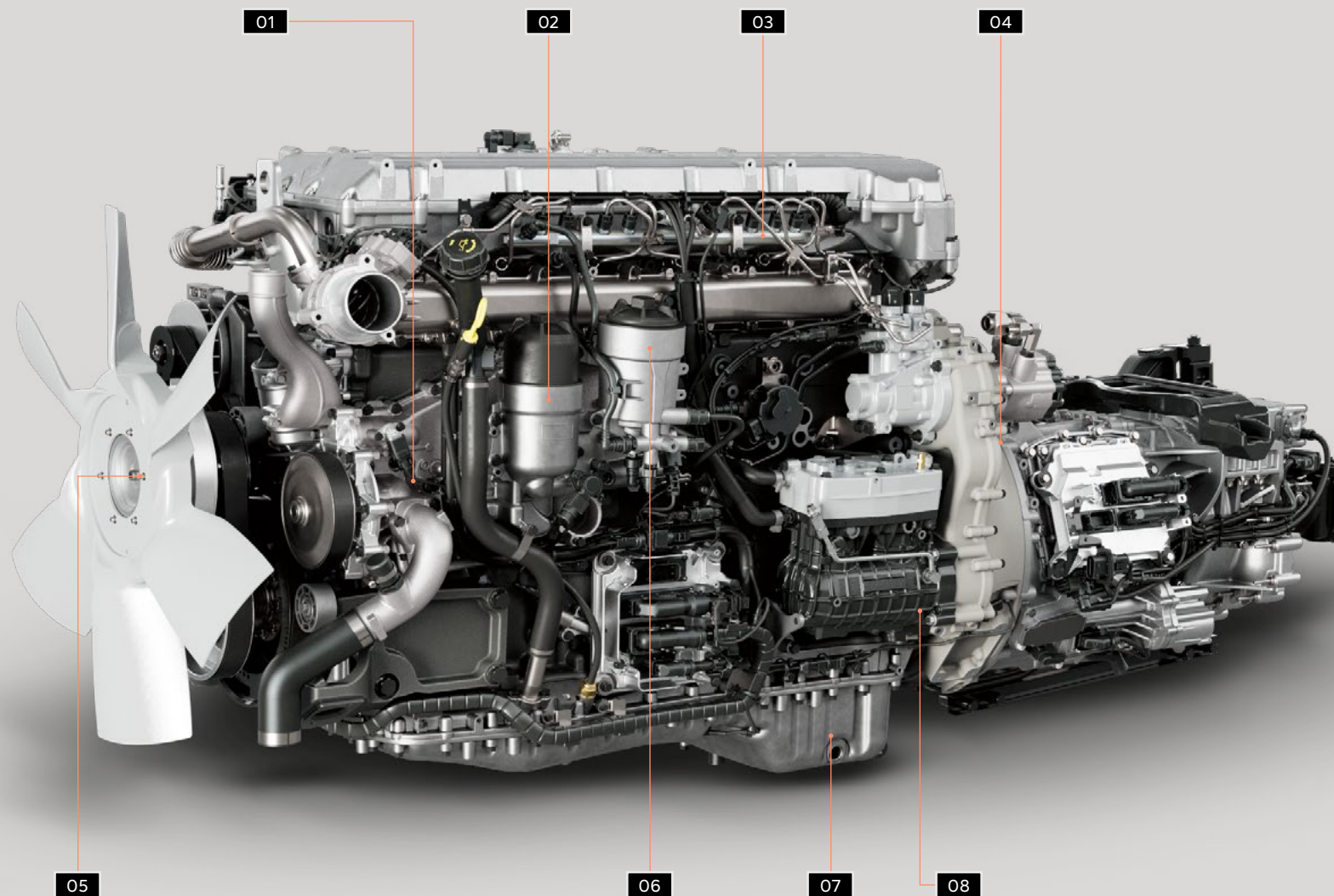
Built to endure, thrive and dominate any assignment, it's hard to imagine a truck with more capability than the International® HX® Series truck. Its premium interior offers the space and materials designed to provide comfort and support mile after extreme mile. And when equipped with the revolutionary, light-weight International® S13® Integrated Powertrain, businesses can benefit from outstanding payload capacity, exceptional fuel economy and simplified serviceability.

# SEVERE-DUTY JOB? BRING IT.

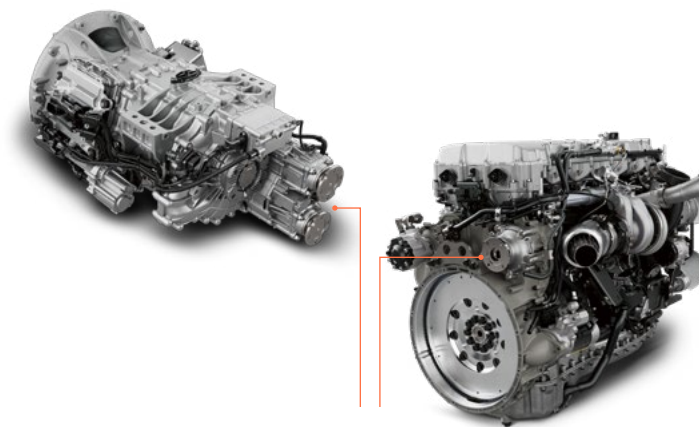
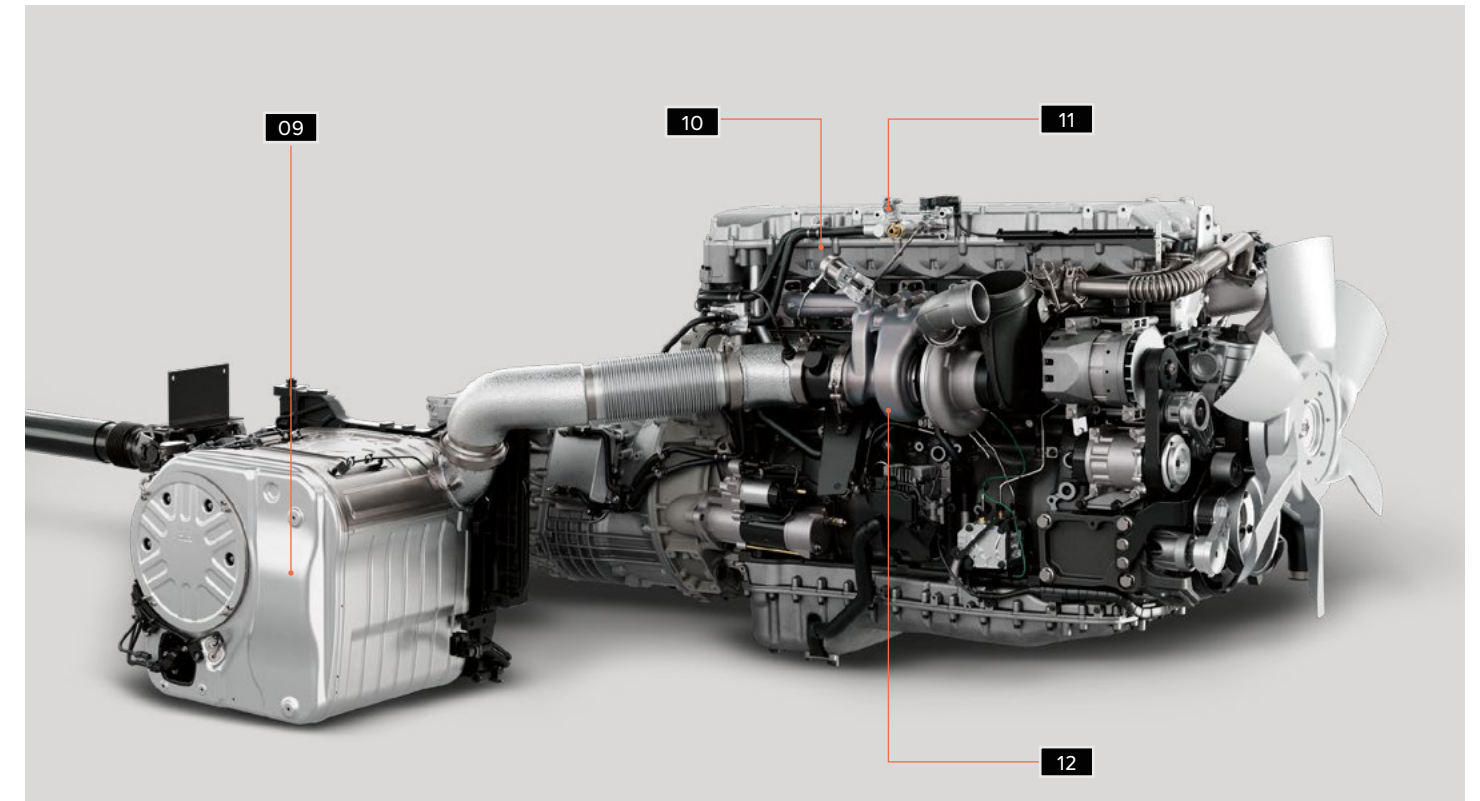


The HX Series has always been the go-to truck for the toughest applications. Thanks to features like built-in International® Diamond Logic® multiplex technology and factory-installed lift axle options, the HX Series is a body company's dream. Add in legendary durability and excellent maneuverability and it's easy to see why the HX Series is the king of jobsites everywhere.

# IT ALL COMES TOGETHER.



The International S13 Integrated Powertrain brings together three distinct entities to create a whole: the S13 engine, the T14 Transmission and the Dual Stage Aftertreatment system.



## PARTS AND SPECIFICATIONS

01	Water Pump	Low displacement, Low parasitic losses
02	Oil Filter	Cartridge style
03	High-Pressure Fuel System	1800 Bar
04	T14 Transmission	14-speed single countershaft geartrain transmission with wide ratio spread for efficiencies on flatlands and performance on hilly terrains
05	6- or 9-Blade Fan	For additional efficiency
06	Fuel Filter	
07	Oil Pan	Aluminum pan provides corrosion protection
08	Air Compressors	<ul style="list-style-type: none"> <li>• Single cylinder (iron)</li> <li>• Two cylinder (aluminum)</li> <li>• Two cylinder clutched (aluminum)</li> </ul>
09	Dual Stage After-Treatment	<ul style="list-style-type: none"> <li>• Compact design for more frame rail mounting space</li> <li>• No active DPF regen needed</li> </ul>
10	No Cooled EGR	EGR cooler not required with this advanced engine design
11	Aluminum Valve Cover	Rugged and lightweight
12	Fixed Geometry Turbo	More reliable and efficient design

### Factory-Installed PTOs available

- Single- and dual-transmission PTOs available with a variety of common interfaces, installed directly at the factory
- REPTO and FEPTO options available without horsepower restrictions

Any engine, no matter how well designed, is only as good as the transmission it's mated to. Because they were developed in unison, the engine and transmission of the S13 Integrated Powertrain are designed to work in perfect harmony. The result is the fully automated manual T14 transmission that delivers seamless shifts that no input from the driver in terms of being in the right gear at the right time.

# T14 TRANSMISSION

## Transmission control module (TCM)

Predictive cruise control, eco-coast, downhill speed control, and predictive shifting can be found in one module - the TCM. Combining these features into one module means the vehicle feels more natural and intuitive and, ultimately, more efficient. The transmission has an electronically controlled clutch actuator that works in sync with the engine to deliver fast and smooth shifts. Since it does not consume air during complicated maneuvers, like when you're backing a trailer into a tight loading dock, the driver never needs to stop and let the air recharge.

## Driver shift modes

Three different shift modes (optional) for ultimate control for the driver

- **Economy** — Predictive shifting with fuel efficiency focus
- **Performance** — Perfect balance
- **Performance+** — Shifting at peak power with focus on performance
- **Off-road** — HX/HV only

## Precision maneuvering mode

Gives the driver more control of the vehicle at low speeds for specific movements, such as reversing into a loading dock, connecting to a trailer or navigating a crowded construction site. Torque value for pedal input is reduced. This mode allows the clutch to slip more easily for slow and smooth performance.

## Paver Assist (HX Series / HV Series)

Enables the truck to be shifted from neutral into a forward gear without the driver needing to depress the brake. This helps ensure the smooth/uninterrupted delivery of material into the following asphalt paver.

## Rock Free

Extracts a truck that has sunk into the ground by rocking it back and forth (without spinning the wheels) until it's free.

## Eco-coast

Disengages the driveline when traveling downhill, using the momentum of the vehicle to save fuel.

## Creep mode

This mode allows the vehicle to automatically start moving when the brake pedal is released while the transmission is in gear. This mode is useful in high traffic and other events where constant vehicle movement is necessary without the use of the accelerator pedal.

## Downhill speed control

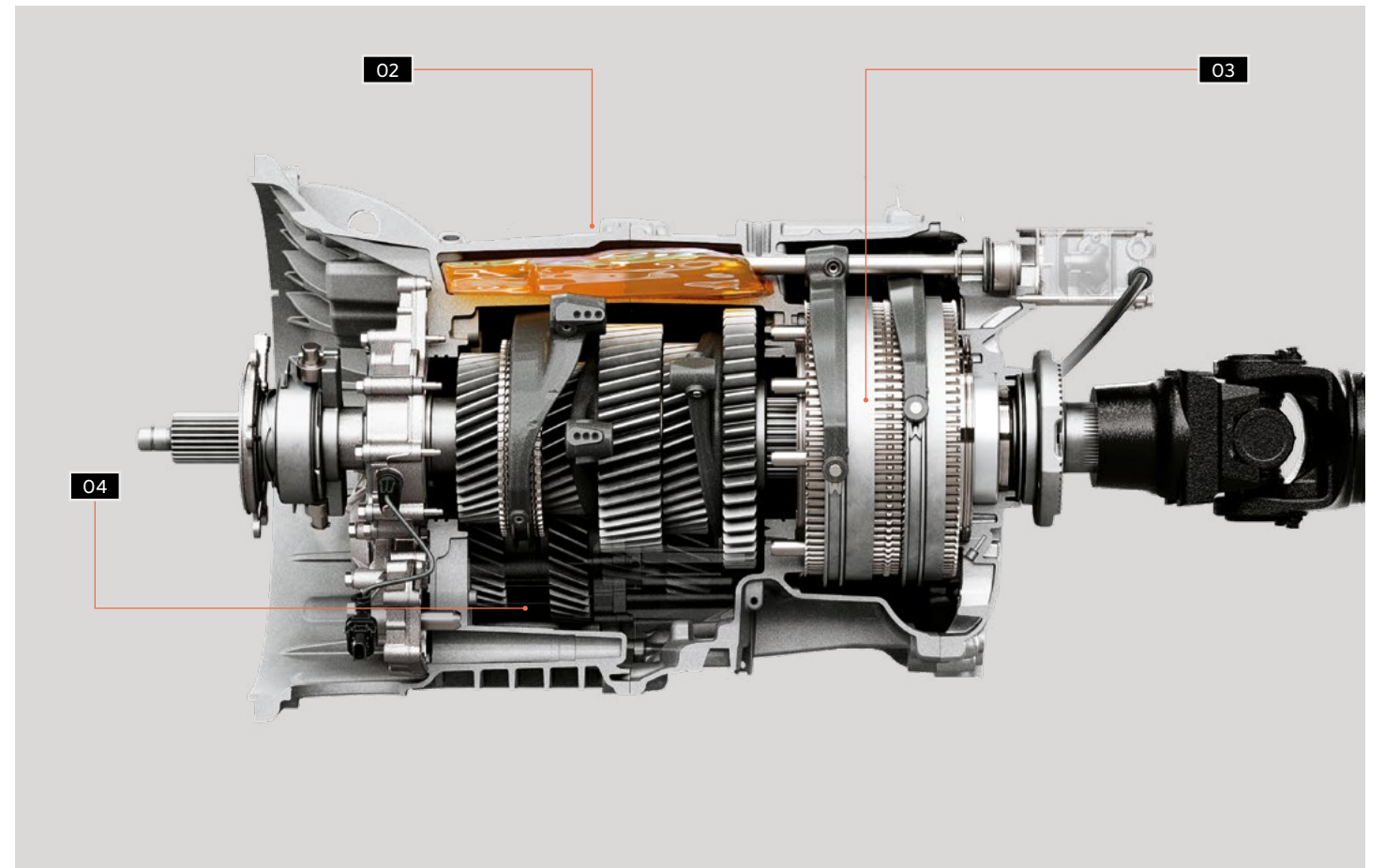
This mode utilizes cruise control and the engine brake to descend at a set speed.



## T14 MANUAL TRANSMISSION PARTS AND FEATURES



01	Shift actuators	Shift actuator packaging was designed specifically for automated functionality (rather than adapted from a manual), allowing for more compact gearbox housing
02	Variable oil level Upper reservoir	Oil is pumped to the reservoir under lower loads to reduce parasitic losses, allowing for the continuous lubrication of gears by the oil sprayers
03	Planetary gears	The planetary gear set eliminates the need for a dedicated reverse gear, shortening the gearbox and allowing for better packaging within the chassis
04	Single countershaft	A single countershaft with helical gears lowers the overall weight of the unit without compromising the durability or performance of the transmission



SIMPLIFIED MAINTENANCE TO MAXIMIZE UPTIME.

KEEPING YOU ON THE ROAD TO PROFITABILITY.



Tethered caps on most fluid containers prevent dropped or lost caps while refreshing fluids.



Translucent containers allow you to check fluid levels at a glance.

The faster your truck can be serviced, the faster you're back on the road, meeting delivery schedules and boosting your profitability.

The HX Series is designed and engineered to optimize uptime. And when you do need service, you can count on expert technicians and an extensive parts inventory from your International® dealer.

**Uptime is about the details**

- Driver controls and instrumentation are based on robust industry-standard SAE J1939 electrical architecture, with gauge cluster and switches designed to keep drivers focused and maximize uptime.
- Cab wiring features a power distribution module that's located inside the cab, protected from the elements.

- ChemGuard coating under the cab floor provides further corrosion protection and standard, durable, long-lasting spray-on liner polymer provides floor protection.
- Models equipped with the S13 Integrated Powertrain include over-the-air cellular programming for approved engine calibration and programmable parameters (Cummins® X15 includes engine calibration updates).

# SOLUTIONS FOR WHATEVER YOUR BUSINESS NEEDS.



## CUMMINS® X15 PROVEN MUSCLE FOR THE LONG HAUL

The Cummins X15 Efficiency Series produces up to 500 hp with advanced fuel-saving technology that includes dynamic electronic controls with ADEPT features, enhanced engine breathing and an optimized combustion process that leverages Cummins' proprietary VGT™ Turbo and XPI fuel system.

**VGT Turbocharger** — Featuring a patented sliding nozzle ring, the VGT Turbocharger used on Cummins X15 engines offers higher boost pressures at low engine speeds.

**XPI Fuel System** — High pressure enables multiple injection events per cycle for industry-leading fuel economy and quieter operation. With a standard thermal recirculation valve, the X15 is prepared to handle even the most challenging weather conditions.

**Single-Module™ Aftertreatment System** — Compact and lightweight, the Single-Module Aftertreatment system provides better heat management and retention, delivering improved fuel economy compared to previous aftertreatment systems.

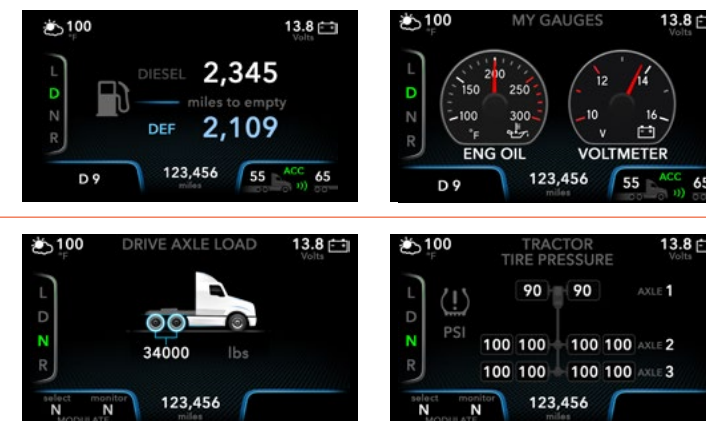
# BUILT AROUND YOU.



The color, illumination, legibility and even the type font and size of gauges are designed to deliver optimal viewing in varying light conditions, maximizing alertness and minimizing eye fatigue.

## THE BUSINESS-END OF ANY TRUCK IS ACTUALLY BEHIND THE STEERING WHEEL.

It's the drivers who complete the job and we made sure it's the drivers who get rewarded with our available Diamond Elite interior, featuring top-of-the-line materials and equipment like premium Isringhausen seats for best-in-class comfort. Engineered for productivity, the HX Series includes a programmable digital gauge cluster so drivers can keep the information they want front and center – including the status of the lift axles.



The premium gauge cluster includes a customizable digital display that provides a wealth of information for the driver, including:

- Real-time fuel economy
- Axle load\*
- Custom gauge settings\*
- Safety indicators\*
- Digital speedometer
- Tire pressure\*

\*When added with optional feature code for required sensors



# ALWAYS TAKE CARE OF THE DRIVER.



A premium truck demands a premium cab. And just as there's no truck that can outwork the HX Series, nobody offers a more comfortable interior. The new Diamond Elite trim level provides best-in-class comfort – providing the ideal temperature, support and seating position for the most discerning drivers.



## SEAT OF POWER

A well-designed seat should help the driver stay fresh and alert. That's why the Diamond Elite seat in the HX Series has so many adjustments. It can now be tailored to suit drivers of all shapes and sizes, incorporating features normally only found in luxury automobiles.

### Seat Cushion Adjustment

- Controls the bottom seat cushion length and tilt
- Helps accommodate drivers of all heights by distributing leg support

### Fore/Aft Isolator & Adjustable Shock Absorber

- Sometimes known as a "chugger," the fore/aft isolator dampens the movement/jostling caused by various loads
- The adjustable shock absorber can vary the stiffness of the ride to match the road profile

### Seat Length and Height Adjustment

- The height and length adjustment allows drivers to find the perfect driving position
- Pneumatic lumbar and side bolster supports
- The two-chamber lumbar adjustment is especially appreciated by drivers who spend long hours behind the wheel
- Pneumatic side bolsters provide additional upper body support and help the driver sit more upright

### Seat Backrest and Armrest

- The adjustable backrest provides up to 52 degrees of range
- The armrest is designed to provide support for drivers of various sizes

### Seat Climate Control

- Active seat ventilation helps keep drivers and passengers comfortable on a long drive in any weather
- Two fans draw fresh cabin air into the seats, allowing the air to circulate and keeping perspiration to a minimum
- A sensor is located in both the seat and backrest to ensure uniform temperature distribution

# WORK HARD. REST EASY.



Nothing feels better after a hard day's work than a solid night's rest. The optional HX Series sleeper cab provides drivers with a comfortable and spacious home where they can kick back, relax and catch some z's. Because when dawn breaks, they need to be ready to get back to work — just like always.

## HX SERIES SLEEPER CAB FEATURES

- Control panel located at head of bunk for blower speed, temperature controls, winter/summer selector switch, roof light switch, radio volume and balance controls, 12-volt power source
- Available inner spring mattress for lower bunk
- Available insulated sleeper compartment curtain
- Two exterior lockers for access to luggage within the sleeper
- Available windshield curtain for privacy

SLEEPER FEATURES	DIAMOND ELITE
12-Volt Power Supply	Standard
Trim Panels	Easy-to-Clean, Soft Touch Vinyl with Satin Mahogany Accents
Headliner	Soft Vinyl
Sleeper Windows	Standard
Windshield Curtain	Optional
Sleeper Control Panel	Standard
Microwave Accommodation	Optional
TV Accommodation	Optional

### 56" LOW-ROOF

Overhead Storage	Two Airline-Style Cabinets Standard, with an Option for Two Additional
------------------	--

### 56" HI-RISE

Overhead Storage	Two Compartments with Netting or Doors
Rear Wall Storage	Optional

### 73" HI-RISE

Overhead Storage	Optional Two or Four Compartments with Nets or Optional Doors
Rear Wall Storage	Standard
Driver Side Wardrobe	Standard, Optional Doors
Passenger Side Cabinets	Utility Cabinet, Lower Right Wardrobe Tower Cabinet, Dresser Cabinet, Refrigerator, Storage with or without Doors

CHROME FOR DAYS,



NIGHTS, WEEKENDS  
AND OVERTIME.

The HX Series is not only a tool for business, but also a calling card. Seen frequently with some of the more elaborate paint jobs on the road, this 45-ton rolling billboard is the perfect way to spread the word. Plus, with available chrome external air cleaners along with chrome pedestal mirrors, grille surround and bumper, the HX Series is already hard to miss.

# CAB OF STEEL.

## EXTREME-DUTY CAB

The cab of the HX Series is made of tough, durable, high-strength steel that's easy to repair. New advancements in manufacturing mean that steel can now offer practically the same corrosion resistance as aluminum without a significant weight penalty – not to mention greater strength.

### Corrosion Protection

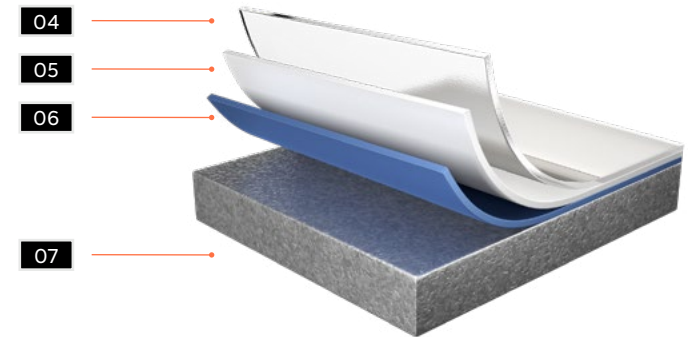
- |    |   |   |
|----|---|---|
| 01 | InterCoat <sup>®</sup><br>ChemGuard Coating | Think of it as a self-healing layer of skin on our galvanized steel. This inter-reactive, chrome-zinc phosphate coating is used on floor and toe kick panels to help extend integrity. The self-rejuvenating properties allow surface cuts, scratches and perforations to maintain corrosion protection.  |
| 02 | Spray-On Liner Coating                      | This available polyurethane and polyurea formulation creates a protective tray on the cab floor that contains spills as well as any of nature's elements that make their way inside. Durable and long-lasting, optional spray-on liner coating is an OEM-grade protective coating designed to guard against abrasion, corrosion and impact and can be found on over 4 million pickup bedliners. |
| 03 | Reinforced B-Pillars                        | For extra cab strength and to support the new cab-mounted exhaust option, every HX Series includes reinforced B-pillars.  |

### E-Coat Paint Process

- |    |                  |
|----|------------------|
| 04 | Clearcoat        |
| 05 | Base Coat        |
| 06 | E-Coat           |
| 07 | Galvanized Steel |



01  
02  
03



04  
05  
06  
07

### STRUCTURAL ENHANCEMENTS



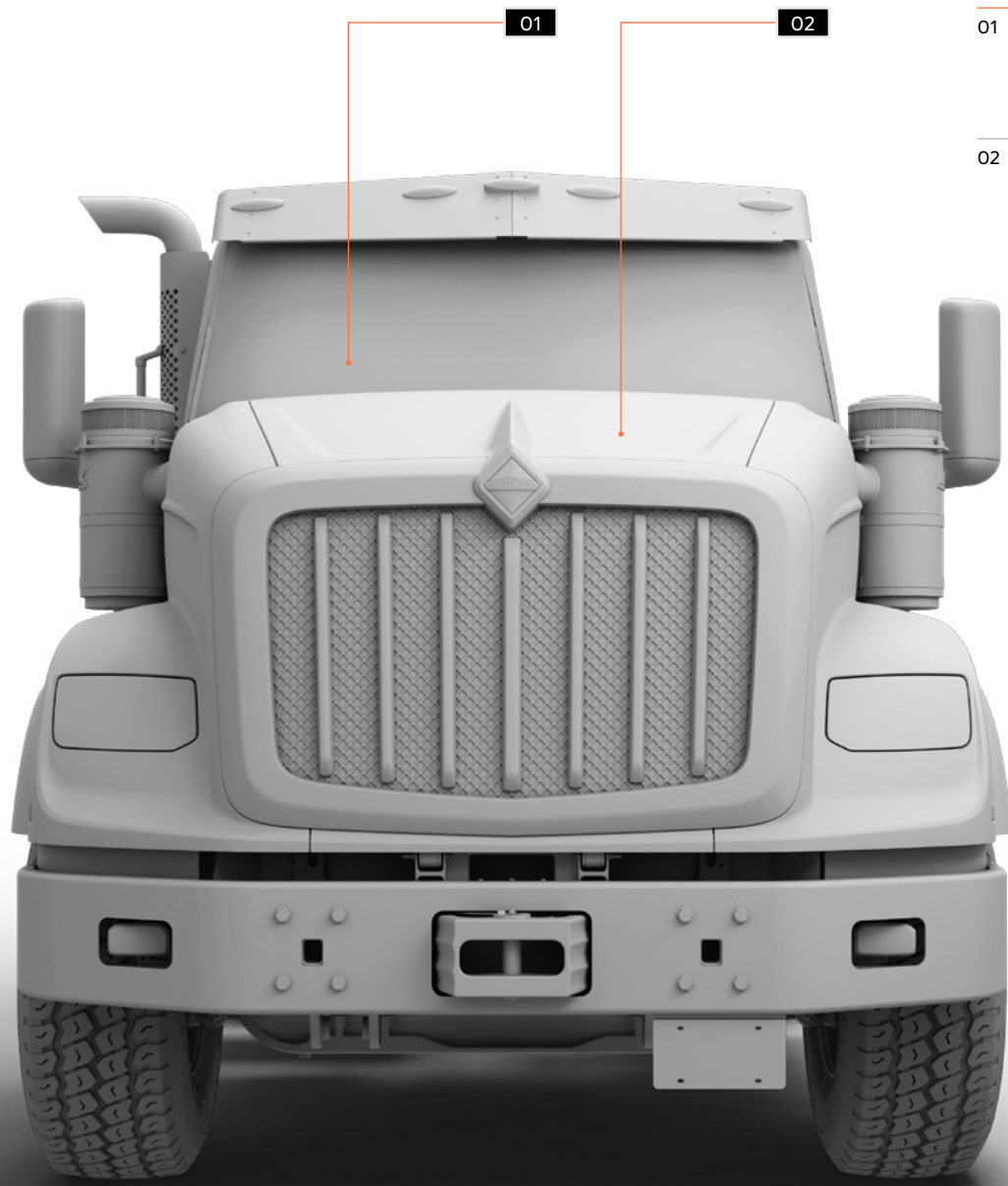
**Sled Runners (day cab and sleeper)**  
The HX Series cab variants feature high-strength steel sled runners for improved durability.



**Strut Brace (sleeper only)**  
A strut brace improves dash endurance.

# AS COMFORTABLE ON THE SITE AS YOU ARE GETTING THERE.

Getting to the worksite is only half the job. Being productive at the worksite is what pays the bills. The HX Series makes this task as easy as possible by providing industry-leading HVAC, expansive driver sight lines and impressive, obstacle-avoiding maneuverability. Not to mention its spacious and accommodating cab – a cab you can work in all day long without feeling cramped.



- 01 Defrost like nobody's business. The quicker you can see, the quicker you can get to work. Based on internal testing, the entire windshield can be cleared within 25 minutes.
- 02 Worksite durability. The worksite can be a rough place and very few vehicles leave without some kind of battle wound. But if the truck is made out of the right materials, the repair can be relatively painless. Compared to aluminum, repairing steel body panels like those found on the HX Series is a piece of cake. Plus, the DCPD (dicyclopentadiene) three-piece hood is stronger than fiberglass and resists cracking over the life of the truck.

Good visibility at the worksite is crucial to complete the job safely and efficiently. The sloped hood design, large windshield and precision halogen headlamps on the HX Series all contribute to provide outstanding visibility.



# A TEM-READY TASKMASTER.

## Body Company Benefits—Mixer:

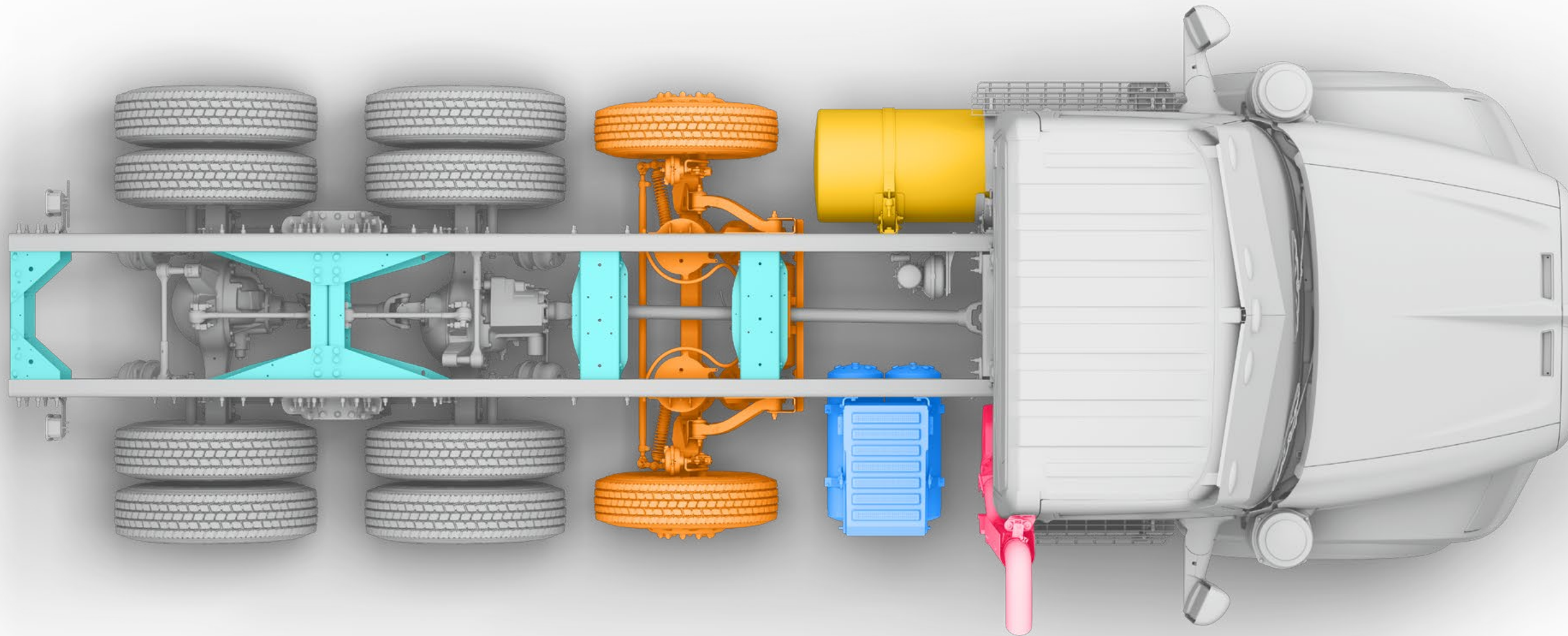
- Specific cross-member location to accommodate mixer PTO pump
- Factory-installed transition brackets for body mounting
- Inverted after-frame cross members for booster axle ram clearance

## Body Company Benefits—Crane:

- Customized frame ladder and component locations to meet body packaging requirements
- Available integral front frame extensions
- Single 1/2", 3.5 million RBM straight frame rail provides high strength for high-capacity crane applications

## Body Company Benefits—Dump:

- Single 1/2", 3.5 million RBM straight frame rail provides high strength without added weight or risk of corrosion
- Factory-installed lift axles with many customizable chassis packaging options
- Available in-cab battery box provides increased chassis packaging flexibility



## INTERNATIONAL SPECIALTY CENTERS

Your quick, efficient and cost-effective upfitting solution. Count on:

- Quality modifications covered under manufacturer's warranty
- Upfit process supervised by International® engineers to ensure factory production-level quality
- Expertise to identify and resolve problems quickly
- A quick and efficient process ensured by optimized delivery cycle times and comprehensive factory support

The International® Diamond Logic® electrical system, standard on the HX Series, allows you to customize the vehicle chassis, enabling control of vehicle components and body equipment.

Combined with the clean CA frame rails, factory-installed lift axles and various movable components, the HX Series allows TEMS to create the ideal solution for your application requirements.

## LINKING TEMS WITH DEALERS TO STREAMLINE INSTALLATIONS AND ENHANCE CUSTOMER UPTIME

The Diamond Partner Program creates a new conduit between International, our dealers and TEMs by providing industry-leading body-builder support materials and services. Through the program, it's now easier than ever for TEMs to mount their equipment faster, with a higher build quality and lower costs. In addition, the program facilitates joint marketing opportunities that can help increase awareness of the dealer and TEM partners.

LISLE, ILLINOIS  
USA  
*International*  
FROM THE FIELD  
TO THE FAST LANE  
EST. 1902

# OWNERSHIP SUPPORT.

- Connected Vehicle Services
- Transparent Service Communications
- Insurance and GAP Coverage
- Comprehensive Ownership Solutions

International is the first and only OEM to create connected solutions built for how you do business - designed on an open architecture, integrated with over 30 third party telematics providers, and compatible with all makes and models.\*

## INDUSTRY-LEADING CONNECTIVITY.

Take your performance to the next level. Our connected vehicle technology includes tools designed to give your business and operations that extra edge.

### 5 Years On Us

Advanced Remote Diagnostics is included for five years standard on new HX Series.

### OTA Programming

Ensure peak performance with remote software calibration and programmable parameter updates to the International S13 Integrated Powertrain — anytime, anywhere.

### Fleet Health Monitoring

Weekly reports on vehicles showing fault codes that are most likely to suggest a risk of roadside failure.

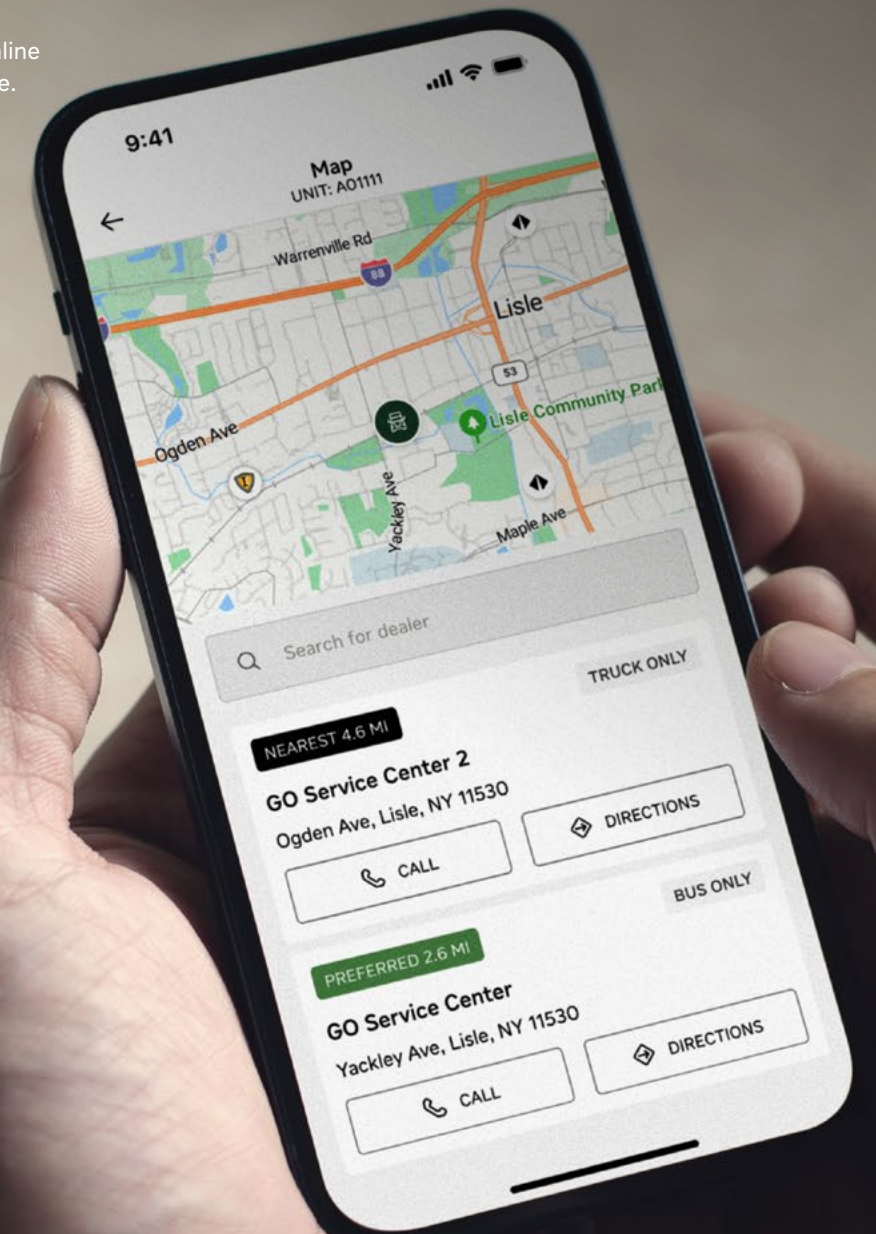
### Gateway Integrations

Our factory installed telematics system can connect you to select fleet management and compliance software providers seamlessly, without the cost and complexity of additional hardware installation on your vehicle.

\* For most commercial vehicles powered by diesel engines, 2007 MY and later.

### Our Advanced Remote Diagnostics platform features:

- Reports on vehicle health issues that include severity ratings, likely needed parts and service, and recommended actions.
- Comprehensive vehicle health reports that include performance data, fault history and more.
- Up-to-date GPS location with customizable geofencing reports that can help ensure vehicles are where they need to be.
- Insights delivered how you need it — via our online portal, your email inbox, a mobile app and more.





# SERVICE COMMUNICATIONS WITH YOUR DEALER.



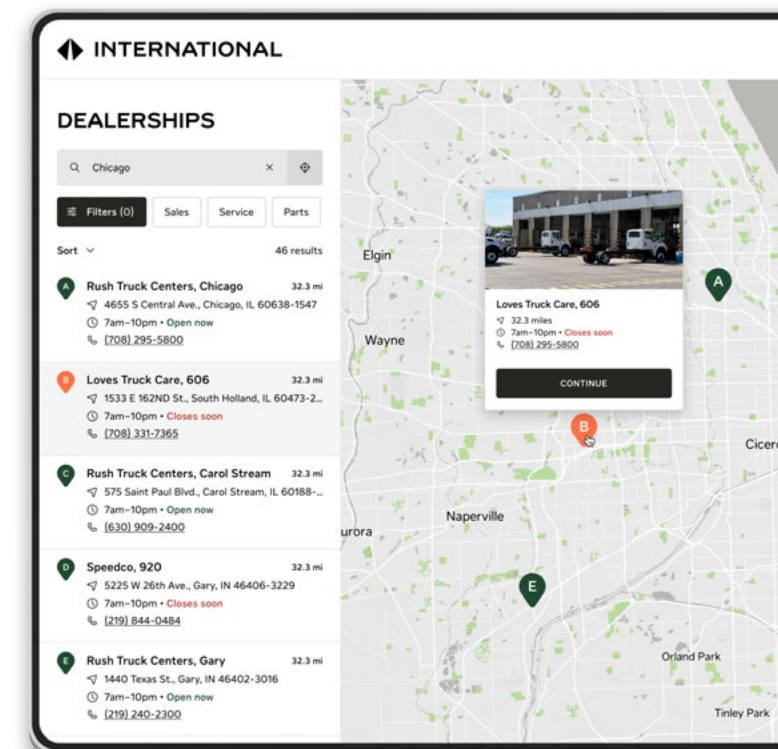
Our industry-leading service communications tool is designed to accelerate the repair process, streamline communications with your dealer service center and drive greater uptime.

## FEATURES INCLUDE:

- Seamless communications with dealers, including service request initiation, up-to-date repair status, and estimate approvals
- Complete VIN-based information: asset specs, complete parts catalog, remote health data, and more
- Complete service history, up-to-date campaign information, and engine calibration status. Integration with parts inventory systems shows which dealer locations have the parts you need on the shelf now

## 5 YEARS ON US

- Service Communications is included for five years standard on new HX Series.



# UNLOCK YOUR POTENTIAL.

International™ Financial can help you take your business to the next level. We offer financing solutions for new and used International trucks and IC Bus® school buses, as well as used vehicles of all makes and models offered through International® Truck dealers, IC Bus dealers and International® Used Truck Centers.

As an expert in the commercial vehicle industry, we have a deep understanding of your wants and needs and are ready to help enable your success.

We offer flexible solutions to fit your truck, bus, vehicle or equipment financing needs, helping you secure the best financing products for your specific situation. Whether you're looking for a fleet vehicle loan or you need to lease fleet vehicles, our financial team can provide you with the best option suited to your business.



## THE CHOICE IS YOURS.

Fleet vehicle financing products have unique advantages and understanding those advantages can ensure your business selects the best financial solutions. The below comparison chart highlights the features and differences of our vehicle financing solutions.

Loan vs. Lease Comparison <sup>1,2</sup>	Loan	Finance Lease	TRAC Lease <sup>3</sup>	Split TRAC Lease	FMV Lease
Flexible payment solutions	✓				
No mileage restrictions	✓	✓	✓		
Own equipment at end of term	✓	✓	✓	Optional	Optional
Finance lease for accounting purposes <sup>2</sup>		✓	✓		
Lower payments			✓	✓	✓
Minimal initial cash outlay				✓	✓
No purchase obligation at lease termination				✓*	✓
Operating lease for accounting purposes <sup>2</sup>				✓	✓

1. International™ Financial services and financing are provided by Navistar Financial Corporation. Program eligibility, actual payments, terms and down payment are determined by Navistar Financial Corporation's credit team based upon creditworthiness of customer.

2. Navistar Financial Corporation does not provide or endorse any tax or accounting advice or tax strategy to its dealers, customers or potential customers. You should consult with your own tax and accounting advisor on all such matters relating to the loan or lease financings described in this brochure.

3. TRAC leases are limited to motor vehicles leased to businesses and must be used for commercial purposes at least 50% of the time.

\* Lessor & Lessee take pro-rata portion of the estimated residual value risk.



We understand that your business depends on the reliability of your equipment. Our comprehensive ownership solutions provide greater productivity, efficiency and lower total cost of ownership for your fleet.

# SERVICE CONTRACTS.

Package Options		Complete (Best Value)	Extended	Core
Maintenance and Service	<ul style="list-style-type: none"> <li>Planned Maintenance</li> <li>Multi-point inspection</li> <li>Proactive Service Planning and Scheduling</li> <li>Customer Notifications</li> <li>Service Event Orchestration</li> </ul>	<ul style="list-style-type: none"> <li>✓</li> <li>✓</li> <li>✓</li> <li>✓</li> <li>✓</li> </ul>	<ul style="list-style-type: none"> <li>✓</li> <li>✓</li> <li>✓</li> <li>✓</li> <li>✓</li> </ul>	<ul style="list-style-type: none"> <li>✓</li> <li>✓</li> <li>✓</li> <li>✓</li> <li>✓</li> </ul>
Powertrain Coverage*	<ul style="list-style-type: none"> <li>Engine and Aftertreatment</li> <li>DEF System</li> <li>Transmission and Clutch</li> </ul>	<ul style="list-style-type: none"> <li>✓</li> <li>✓</li> <li>✓</li> </ul>	<ul style="list-style-type: none"> <li>✓</li> <li>✓</li> <li>✓</li> </ul>	
Non-Powertrain Coverage*	<ul style="list-style-type: none"> <li>Cooling and HVAC</li> <li>Starter / Alternator / Electrical</li> <li>Suspension and Steering</li> <li>Axles / Propshaft / Frame and Bumper</li> <li>Braking and Fuel Systems</li> </ul>	<ul style="list-style-type: none"> <li>✓</li> <li>✓</li> <li>✓</li> <li>✓</li> <li>✓</li> </ul>		
Towing Coverage		Optional	Optional	Optional
<b>Coverage Term Options</b>				
<ul style="list-style-type: none"> <li>3 Years / 300,000 Miles</li> <li>4 Years / 100,000 Miles</li> <li>5 Years / 100,000 Miles</li> <li>5 Years / 300,000 Miles</li> <li>5 Years / 500,000 Miles</li> </ul>	Not all businesses have the same coverage requirements. Choose the package and term that suits your needs.			

### PLANNED MAINTENANCE

Consistent, high quality work performed with genuine OEM parts and lubricants that will keep your truck performing at its best. All backed by the industry's largest service network.

### PROACTIVE SERVICE PLANNING

Using remote vehicle health and performance data, our team will support you with notifications for upcoming planned maintenance and service needs. By working with you to schedule this work in advance, the service location can be prepared for arrival and get your vehicle back in service as fast as possible.

### SERVICE EVENT ORCHESTRATION

We offer resources dedicated to managing and expediting service and repair events, including reviewing repair history, ensuring calibrations are up to date, coordinating technical support when needed and providing timely communications and service product updates to keep you informed.

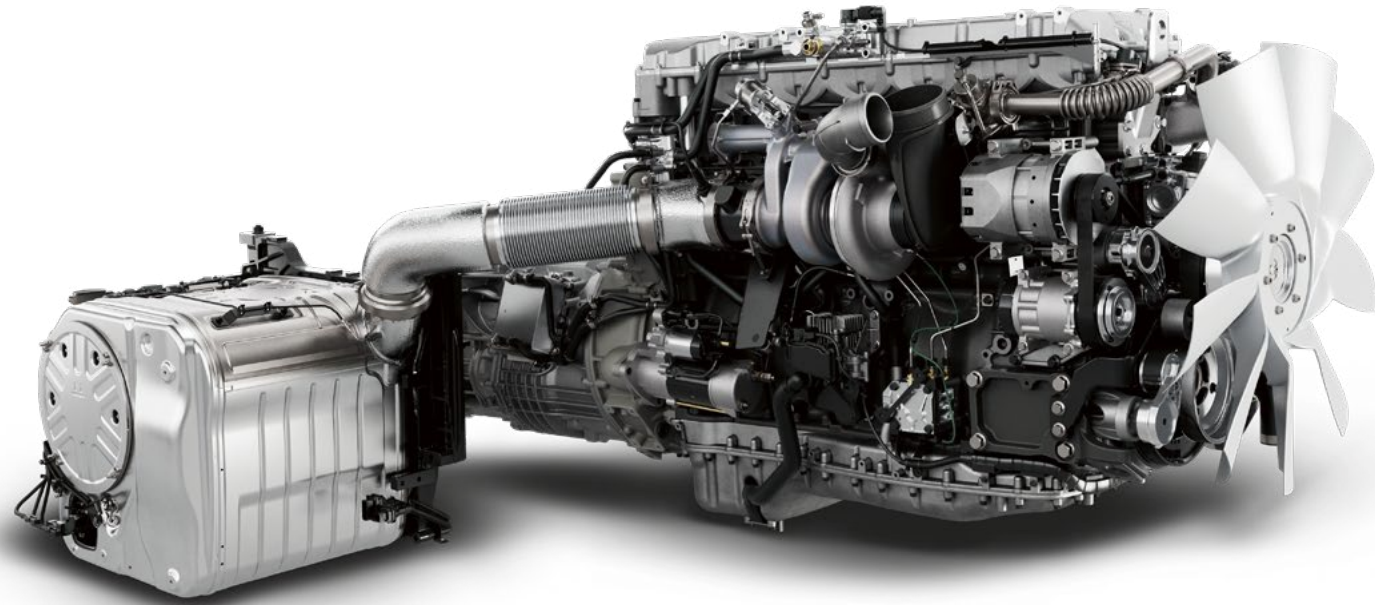
### COMPLETE VEHICLE COVERAGE

Protect your vehicle's powertrain and other key components, including electrical, cooling, suspension systems, and more. Plans feature a guaranteed \$0 deductible, 100% parts and labor coverage, and NO claims maximums.

These service contracts are available at no financing cost. Ask your dealer about a payment program through International™ Financial.

# POWERFUL OPTIONS.

The HX Series offers powertrain options that can suit your specific needs. Whether you choose the lightweight S13 Integrated Powertrain or the 15-liter Cummins X15, you will have all the muscle, performance and capability you need to get the job done.



## S13 INTEGRATED

Engine type	Diesel, 4-Cycle
Configuration	Inline 6-Cylinder
Displacement	12.74L (777 cu. in.)
Bore & Stroke	5.12 in. x 6.30 in. (126 mm & 166 mm)
Compression Ratio	23:1
Aspiration	Fixed Geometry Turbocharger
Combustion System	1800 bar Common Rail
Engine Lubrication	47.5 quarts (45L)
Total Engine Weight	2,284 lbs. (1,036 kg)
Valves	4 Valves per Cylinder, Dual Overhead Camshaft
B10 Design life	1,200,000 mi (1,931,000 km)

## INDUSTRY-LEADING ENGINE WARRANTY

Base Engine	24 months; unlimited miles, unlimited hours*
Base Major Component	60 months; 500,000 miles
Base Towing	24 months; unlimited miles, unlimited hours**
Optional Engine	Up to 72 months, 600,000 miles
Optional Major Component	Up to 84 months, 700,000 miles

\* Fire & rescue applications: 60 months/100,000 miles/unlimited hours  
 \*\*Towing for vehicles with engine failures

## TRANSMISSION, CLUTCH AND TRANSMISSION MOUNTED PTO BASE WARRANTY (INCLUDES TOWING)

Less than 52K Rear Axles Rating:	3 years; unlimited miles
Greater than 52K Rear Axles Rating:	2 years; unlimited miles

## T14 GEAR RATIOS AVAILABLE

Gear	Ratio	Step	Gear	Ratio	Step	Gear	Ratio	Step
R6	4.59*	-	1	20.81	29%	8	3.53	29%
R5	5.91*	-	2	16.16	29%	9	2.77	29%
R4	7.61*	-	3	12.57	29%	10	2.15	29%
R3	9.81*	-	4	9.76	29%	11	1.66	29%
R2	12.60	-	5	7.56	29%	12	1.29	29%
R1	16.23	-	6	5.87	29%	13	1.00	29%
			7	4.55	29%	14	0.78	-



## CUMMINS X15 PROVEN MUSCLE FOR THE HEAVY HAUL



Engine Type	Diesel, 4-Cycle
Configuration	Inline 6-Cylinder
Displacement	14.9L (912 cu. in.)
Bore & Stroke	5.3 in. & 6.65 in. (137 mm & 169 mm)
Compression Ratio	18.9:1
Aspiration	Variable Geometry Turbocharger
Combustion System	Direct Injection CPI Fuel System
Engine Lubrication	56 Quarts (53L)
Total Engine Weight	2,961 lbs. (1,343 kg)
Valves	4 Valves per Cylinder, Single Overhead Camshaft
B10 Design Life	1,000,000 mi (1,609,000 km)

HP RATING	GOVERNED SPEED RPM	TORQUE RATING (lb-ft @ RPM)
430	2000	1650 @ 950
450	2000	1650 @ 950
450	2000	1750 @ 950
470	2000	1750 @ 950
500	2000	1850 @ 950
565	2000	1850 @ 1000
605	2000	1850 @ 1000
605	2000	2050 @ 1000
605	2100	1850 @ 1000
525	1900	1850 @ 1000
565	1900	1850 @ 1000
605	1900	2050 @ 1000

# HX SERIES SPECIFICATIONS

## HX520

### 120" BBC Set-Forward Front Axle Truck or Tractor

#### Primary Vocations:

- Heavy Haul Tractor
- Construction Dump
- Logging
- Recovery

#### Key Features:

- Powerful 15L Cummins X15 power up to 605 HP / 2,050 lb.-ft. torque
- Excellent bridge formula chassis
- Available 0.5", 3.5 million RBM single rail frame
- Available 150,000 lb. Tow pin
- Available dual external air cleaners for HD filtration
- Front axles up to 20K and rear axles up to 58K
- BA = 29.9"



## HX620

### 119" BBC Set-Back Front Axle Truck or Tractor

#### Primary Vocations:

- Heavy Haul Tractor
- Construction Dump
- Platform Stake/Crane

#### Key Features:

- S13 Integrated Powertrain up to 515 HP / 1,850 lb.-ft. torque
- Powerful 15L Cummins X15 power up to 605 HP / 2,050 lb.-ft. torque
- Available 0.5", 3.5 million RBM single rail frame
- Available 150,000 lb. Tow pin
- Front axles up to 22.8K
- Tandem rear axles up to 58K and Tridem to 69K
- Available dual external air cleaners for HD filtration
- BA = 50.2"



#### GVWR

52,000 – 91,800 lbs.

#### Models

HX520 120" BBC, Set-Forward Front Axle Truck or Tractor  
HX620 119" BBC, Set-Back Front Axle Truck or Tractor

#### Axle Configurations

6x4  
8x6  
4x2 (upon request)

#### Cab Configurations

Day Cab  
56" Low and High Sleeper Cabs  
73" High Sleeper Cab

#### Heat-Treated Alloy Steel 120,000 PSI Frames

Single Rail  
 • 3/8": 10.25"x3.61"x0.375": 2,037,600 RBM  
 • 3/8": 12.25"x3.380"x0.375": 2,521,200 RBM  
 • 1/2": 12.5"x3.750"x0.5": 3,536,400 RBM  
 Double Rail  
 • 5/16"+ 5/16": 10.813"x3.893x0.625": 3,580,800 RBM  
 • 3/8"+ 5/16": 13.030"x3.687"x0.6875": 4,854,000 RBM

#### Engines

International S13  
 • HX620  
 • 400 – 515 HP  
 • 1,450 – 1,850 lb.-ft.  
 Cummins X15 15L  
 • HX520 / HX620  
 • 430 – 605 HP  
 • 1,650 – 2050 lb.-ft.

#### Transmissions

- International T14: 14-speed automated manual
- Eaton Fuller Manual: 8LL (10), 9ALL (11), 13, 18-speed
- Eaton Cummins Automated Manual Endurant HD: 12-speed
- Eaton Cummins Automated Manual Endurant XD & XD Pro: 18-speed
- Allison Automatic: EVS, RDS, OFS Series

#### Clutch

Standard: Hydraulic with Air Assist

#### Power Take Off

Front Engine PTO (FEPTO) HX520  
Rear Engine PTO (REPTO) HX520, HX620

#### Front Axles

HX620  
 • Dana: 16,000 – 20,000 lbs.  
 • Cummins-Meritor: 12,000 – 22,800 lbs.  
 HX520  
 • Cummins-Meritor: 12,000 – 20,000 lbs.

#### Front Suspensions

HX520  
 • Multi-leaf: 20,000 lbs.  
 • Parabolic Taper-leaf: 12,000 – 20,000 lbs.  
 HX620  
 • Multi-leaf: 14,000 – 23,000 lbs.  
 • Parabolic Taper-leaf: 13,200 – 22,000 lbs.  
 • Slipper-Type: 20,000 – 24,000 lbs.

#### Rear Axles

Tandem Rear Axles  
 • Dana: 46,000 – 52,000 lbs.  
 • Cummins-Meritor: 40,000 – 58,000 lbs. Single and Double Reduction  
 Tridem Rear Axles  
 • Cummins-Meritor: 50,000 – 69,000lbs.

#### Rear Suspensions

Spring Suspensions  
 • Chalmers: 40,000 – 52,000 lbs.  
 • Hendrickson HAULMAAX EX: 40,000 – 52,000 lbs  
 • Hendrickson R, RT: 40,000 – 80,000 lbs.  
 Air Suspensions  
 • Hendrickson HAS: 40,000 – 46,000 lbs. 55" and 60" spacing  
 • Hendrickson PRIMAAX EX: 46,000 – 52,000 lbs. 55", 60", 72" spacing  
 • Hendrickson PAX Tridem: 69,000 lbs.



We understand making money means keeping your vehicles on the road.

That's why uptime is so important to us. Dependable equipment spec'd for your needs or requirements is just the beginning. We also focus on fuel economy, preventive maintenance, optimized service intervals and more to make sure the low cost of ownership of our vehicles helps keep you in the black.

**Maximum Uptime Repair Before Failure**

Prognostics move unplanned repairs to planned, optimizing maintenance using vehicle performance and predictive data.

**Predictive Parts Stocking**

Dealer parts inventory management uses AI and telematics data to predict stocking needs. This ensures the best parts are on dealer shelves to support customers.

**Parts You Need Where and When You Need Them**

Our partnership with Love's Truck Care & Speedco adds 400+ additional locations for quick, conveniently located access to light mechanical and select warranty work.\*

International Dealer Locations

700

Love's Truck Care & Speedco Locations

400

Total Service Locations

1,100



Find out more at  
[international.com](https://www.international.com)

2701 Navistar Drive  
Lisle, IL 60532 USA



Note: The information and conclusions contained herein are believed to be correct at time of publication, but do not necessarily apply to similar vehicles with different specifications or with production dates after the production of this publication. Vehicles with different specifications or later dates of production may yield different results. Vehicle specifications are subject to change without notice. TAD16013 09/2024 ©2024 International Motors, LLC. All rights reserved. All marks are trademarks of their respective owners.